

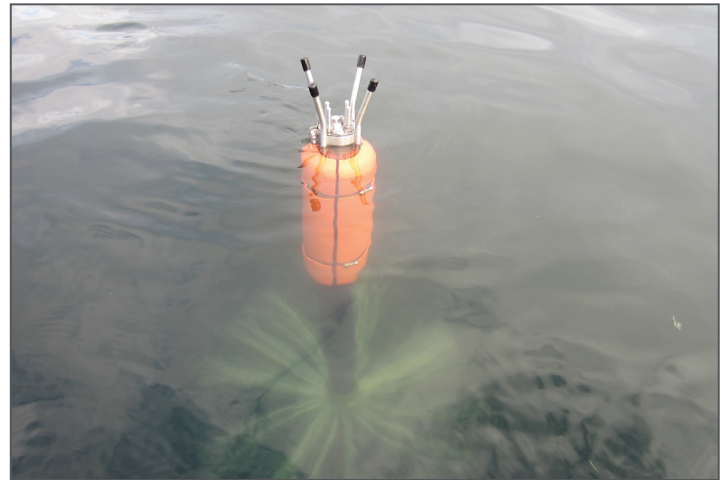
# VMP 250 TurboVMP

## Vertical Turbulence Profiler



### DESCRIPTION

The **VMP-250** is a versatile profiler for the measurement of micro-scale turbulence. The profiler is designed for operation from small vessels with limited deck space (e.g., Zodiacs), or where electrical power facilities are limited or missing (e.g. ice camps). The **VMP-250** records data internally on a memory card, eliminating the requirement for a deck-side power supply and data recording system (i.e. laptop). The battery and memory allow for up to 24 hours of continuous autonomous operation. An optional real-time data transmission system is available.



### CONFIGURATION

<b>Standard Sensors</b>	2x Shear Probe, 1x Micro-temperature (FP07), 2x Vibration Sensors, 1x Pressure, 1x Tilt Sensor
<b>Optional Sensors</b>	Conductivity-temperature Combo Sensor, Fluorometer-turbidity Combo Sensor, Micro-conductivity Sensor, Additional Micro-temperature (FP07)
<b>Uprising Profiling Kit</b>	Floatation and weight release hardware for uprising measurements (optional).

### GENERAL SPECIFICATIONS

<b>Model Designations</b>	<b>VMP-250-IR</b> (Internal Data Recording) <b>VMP-250-RT</b> (Real-time Data Transmission)
<b>Depth Range</b>	0 - 500 m (1000 optional)
<b>Weight in Air/Water</b>	11 kg / 3 kg (other weights available)
<b>Length Housing/Overall</b>	1.1 m / 1.6 m
<b>Sampling Rate</b>	512 Hz / 64 Hz fast channel / slow channels (up to 2048 Hz available)
<b>Data Acquisition</b>	Internal recording (Real-time transmission, optional)

### SENSOR SPECIFICATIONS

		Range	Accuracy	Resolution	Bandwidth*
<b>Velocity Shear Probe</b>		0 - 10 s <sup>-1</sup>	5%	10 <sup>-3</sup> s <sup>-1</sup>	0.1 - 100 Hz
<b>Micro-Temperature FP07</b>		-5 - 35 °C	0.005 °C	10 <sup>-5</sup> °C	0 - 25 Hz
<b>Pressure</b>		50 / 100 bar	0.1% FS	5 × 10 <sup>-4</sup> bar	0 - 5 Hz
<b>Vibration Sensor</b>		±1g	2%	3 × 10 <sup>-5</sup> g	0.1 - 100 Hz
<b>Micro-Conductivity SBE7</b>		0 - 70 mS/cm	0.005 mS/cm	0.001 mS/cm	0 - 100 Hz
<b>CT sensor</b>	Conductivity Temperature	2 - 65 mS/cm -3 - 45 °C	0.01 mS/cm <sup>†</sup> 0.01 °C <sup>†</sup>	0.001 mS/cm 0.001 °C	0 - 16 Hz
<b>FT sensor</b>	Fluorescence Turbidity	0 - 400 ppb 0 - 1000 FTU	1% of FS 0.3 FTU or 2% of measured value	0.01 ppb 0.03 FTU	0 - 100 Hz

All specifications are subject to change without notice.

\* other bandwidths available upon request  
† higher-accuracy calibrations available upon request

tel +1-250-370-1688  
fax +1-250-370-1688  
toll free 1-877-370-1688  
Business No.: 82695-5544

web [www.RocklandScientific.com](http://www.RocklandScientific.com)  
email [info@RocklandScientific.com](mailto:info@RocklandScientific.com)  
520 Dupplin Road, Victoria BC V8Z 1C1  
Canada



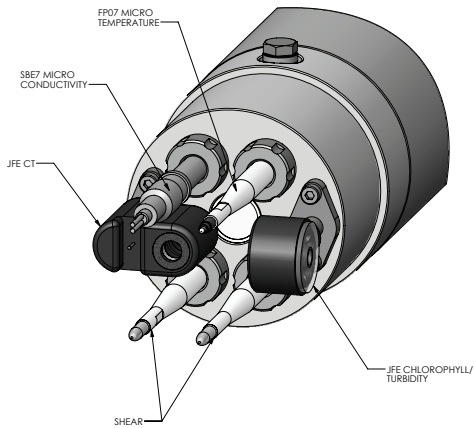
# VMP 250 TurboVMP

## Vertical Turbulence Profiler

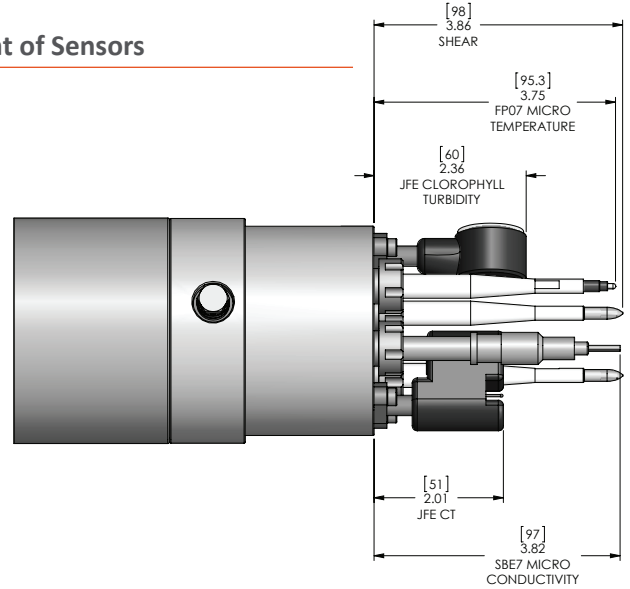


### OUTLINE DRAWINGS inches [mm]

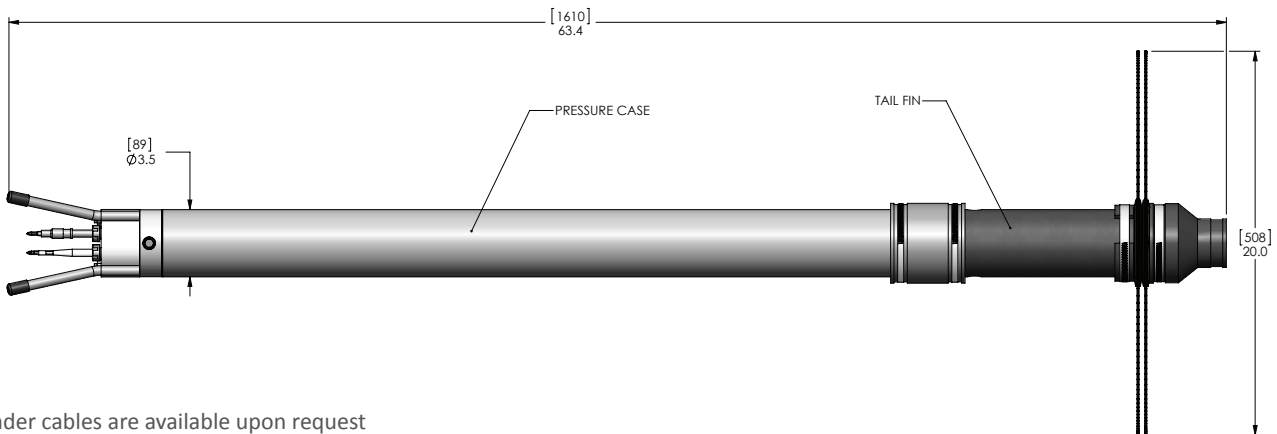
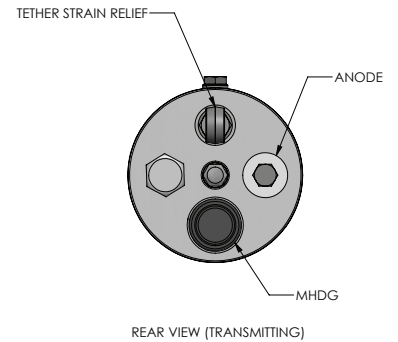
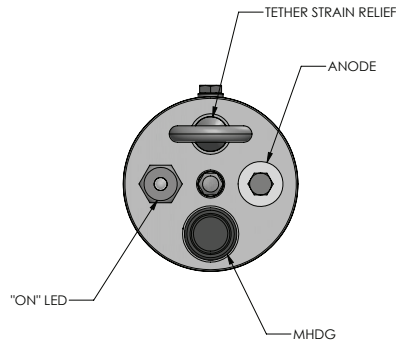
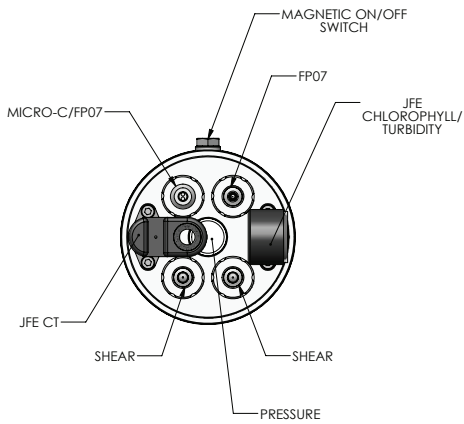
#### Sensor Arrangement



#### Height of Sensors



#### Front and Rear Bulkhead



Extender cables are available upon request  
Please contact us for pricing

This information contained in this drawing is the sole property of Rockland Scientific International. Any reproduction in part or as a whole without the written permission of Rockland Scientific International is prohibited.